

Type 12/13 Panel Enclosures

JIC Enclosures

Type 12 Continuous Hinge Flanged Trough Cover

Data Sheet



Type 12/13 Panel Encl.

Application

- Houses electrical controls and instruments
- Protects against circulating dust, falling dirt and dripping non-corrosive liquids

Standards

- UL 508 Listed, Type 12 and Type 13
- CSA C22.2 No. 94 certified, Type 12 and Type 13
- Conforms to NEMA standard for Type 12 and Type 13

Finish

- Wash and phosphate undercoat
- ANSI 61 gray polyester powder finish
- Optional panels have a white enamel finish

Accessories

- Panels
- JIC terminal strap kit
- JIC terminal strip kit
- JIC terminal blocks
- Touch-up paint
- #8-32 self tapping screw (10168)

Construction

- Enclosure and door are fabricated from 16 gauge steel
- Body flange trough design, formed around body opening, diverts liquid contaminants away from door opening
- Cover has a seamless poured in-place gasket
- Integral compression stop to prevent over compression of gasket for optimal gasket performance
- Ground stud provided on door
- Door is secured to the body with a continuous hinge on one side and heavy-duty latches on the opposite side
- #10-32 weldnuts are provided for mounting optional panels
- External mounting feet are provided for secure wall mounting

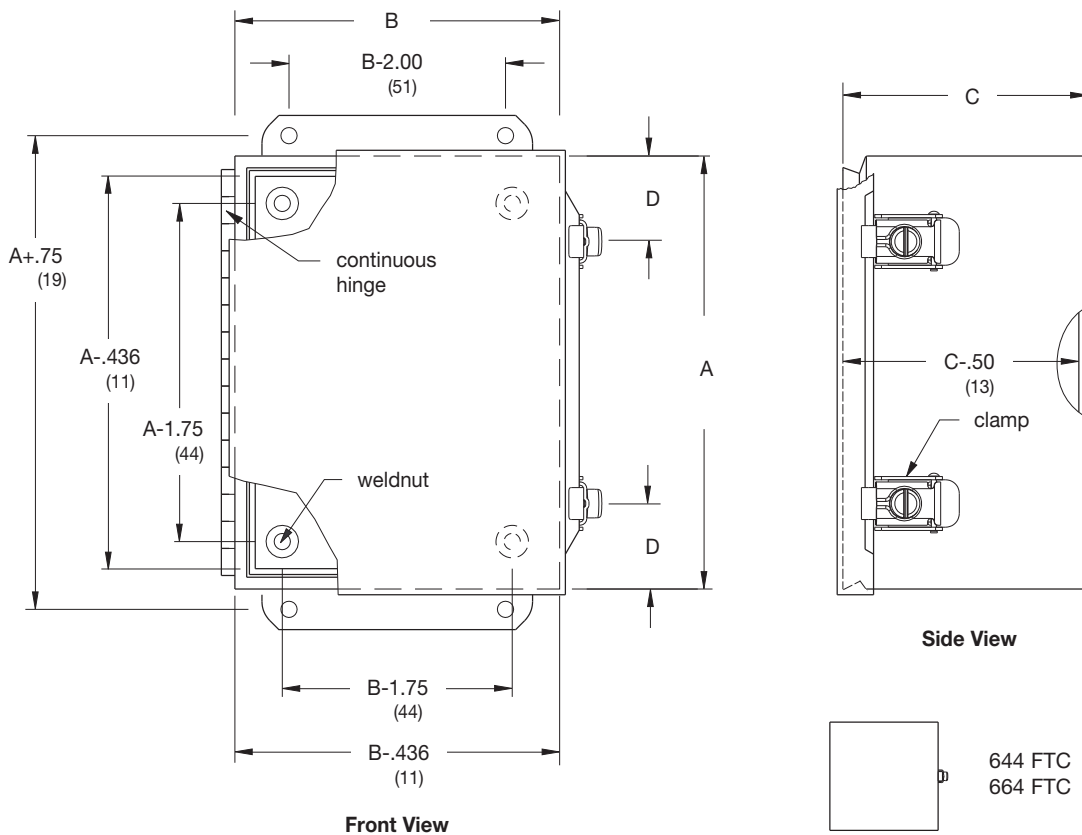
Discount Schedule: C2

Subclass: DEO

Notes: Cooper B-Line can provide special sizes, finishes and other modifications. Consult the factory for your special requirements.

JIC Enclosures Type 12 Continuous Hinge Flanged Trough Cover Illustration Sheet and Catalog Number

Enclosure Catalog Number	Enclosure Size Height x Width x Depth A x B x C		D		Panel Catalog Number		Panel Size Height x Width	
	in.	mm	in.	mm	Solid	Perforated	in.	mm
644-FTC	6.00 x 4.00 x 4.54	152 x 102 x 115	3.00	76	AW64P	AW64PP	4.87 x 2.87	124 x 73
664-FTC	6.00 x 6.00 x 4.54	152 x 152 x 115	3.00	76	AW66P	AW66PP	4.87 x 4.87	124 x 124
864-FTC	8.00 x 6.00 x 4.54	203 x 152 x 115	2.00	51	AW86P	AW86PP	6.87 x 4.87	174 x 124
1084-FTC	10.00 x 8.00 x 4.54	254 x 203 x 115	2.00	51	AW108P	AW108PP	8.87 x 6.87	225 x 174
12105-FTC	12.00 x 10.00 x 5.54	305 x 254 x 141	2.00	51	AW1210P	AW1210PP	10.87 x 8.87	272 x 225
14126-FTC	14.00 x 12.00 x 6.54	356 x 305 x 166	2.00	51	AW1412P	AW1412PP	12.87 x 10.87	327 x 272
16146-FTC	16.00 x 14.00 x 6.54	406 x 356 x 166	2.00	51	AW1614P	AW1614PP	14.87 x 12.87	378 x 327



Type 12/13 Panel Encl.

Notes: Dimensions are in inches. Millimeters shown are for reference only. Data subject to change without notice.